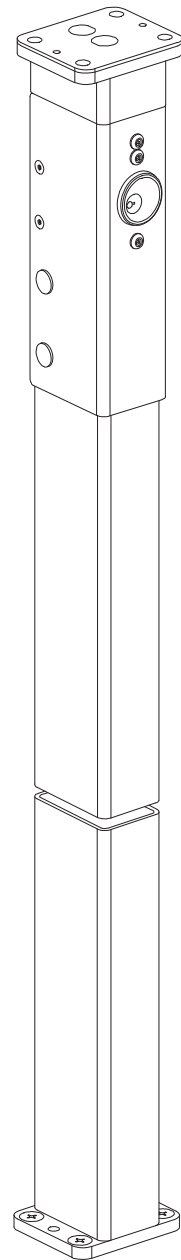


VON DUPRIN®

54 Series Mullions

Service manual



INDEX

General Information

| | |
|-----------------------------------|---|
| Introduction | 3 |
| How to Order | 3 |
| Part Number Changes | 3 |
| 54 Series Mullions Finishes | 3 |

54 Series Mullions Parts

| | |
|---------------------------|----|
| 1654 | 4 |
| 4954 | 4 |
| 9954 | 6 |
| 5654 | 8 |
| 5754 | 8 |
| 4754 | 10 |
| 4854 | 10 |
| 9854 | 12 |
| KR1654 | 14 |
| KR4954 | 14 |
| KR9854 | 16 |
| KR9954 | 16 |
| KR54 Retrofit Kit | 18 |
| KR54-F Retrofit Kit | 19 |

INTRODUCTION

This manual contains a listing of replaceable parts and assemblies for the 54 Series Mullions.

HOW TO ORDER

Some parts are sold separately. Other items are available as part of a kit or multiple quantity package. For the best possible service when ordering replacement parts or assemblies, please provide the following information:

- Part number or assembly number
- Description
- Quantity needed
- Finish desired (if available finished)
- Date of original purchase (if known)

To find out the name of your local Von Duprin distributor or sales representative, contact:

Von Duprin Division
Allegion
2720 Tobey Drive
Indianapolis, IN 46219
Phone: (877) 671-7011

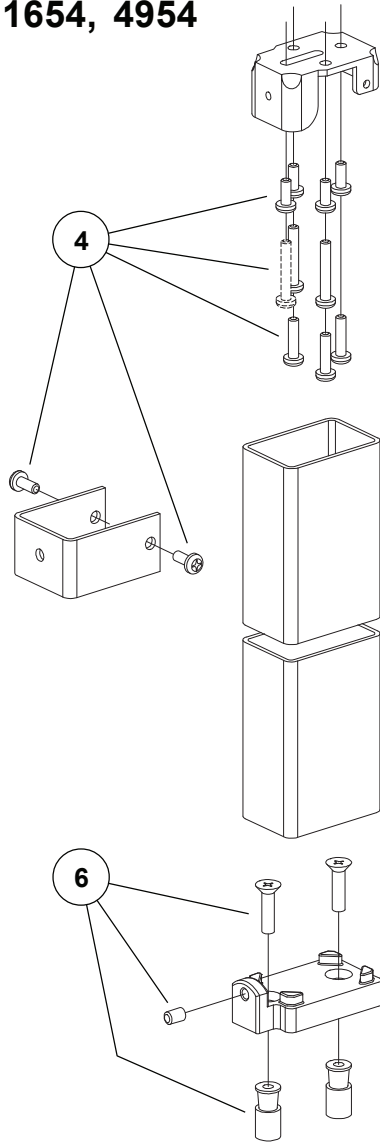
PART NUMBER AND AVAILABILITY CHANGES

This manual was designed to help illustrate the replacement parts and kits that are available for sale. Because of changes to the product and/or manufacturing process, part numbers and availability can change over time.

54 SERIES MULLIONS FINISHES

| Mullion | US Number | BHMA Number | Color |
|---------------------|-----------|-------------|--------------|
| 5654 and 5754 | US4 | 606 | Brass, dull |
| | US10 | 612 | Bronze, dull |
| | US28 | | |
| | 313AN | | |
| All others | SP28 | | |
| | SP313 | | |

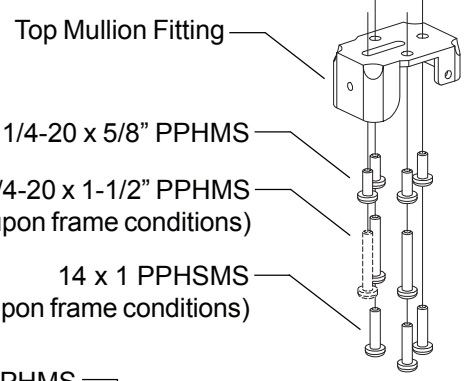
1654, 4954



1

2

3



Top Mullion Fitting

1/4-20 x 5/8" PPHMS

1/4-20 x 1-1/2" PPHMS
(use depends upon frame conditions)

14 x 1 PPHSMS
(use depends upon frame conditions)

1/4-20 x 5/8" PPHMS

4754/4854/4954
Top Fitting Cover

5/16-18 x 1-1/4" FPHMS

Bottom Mullion Plate

5/16-16 x 1/2"
Socket Head Set Screw

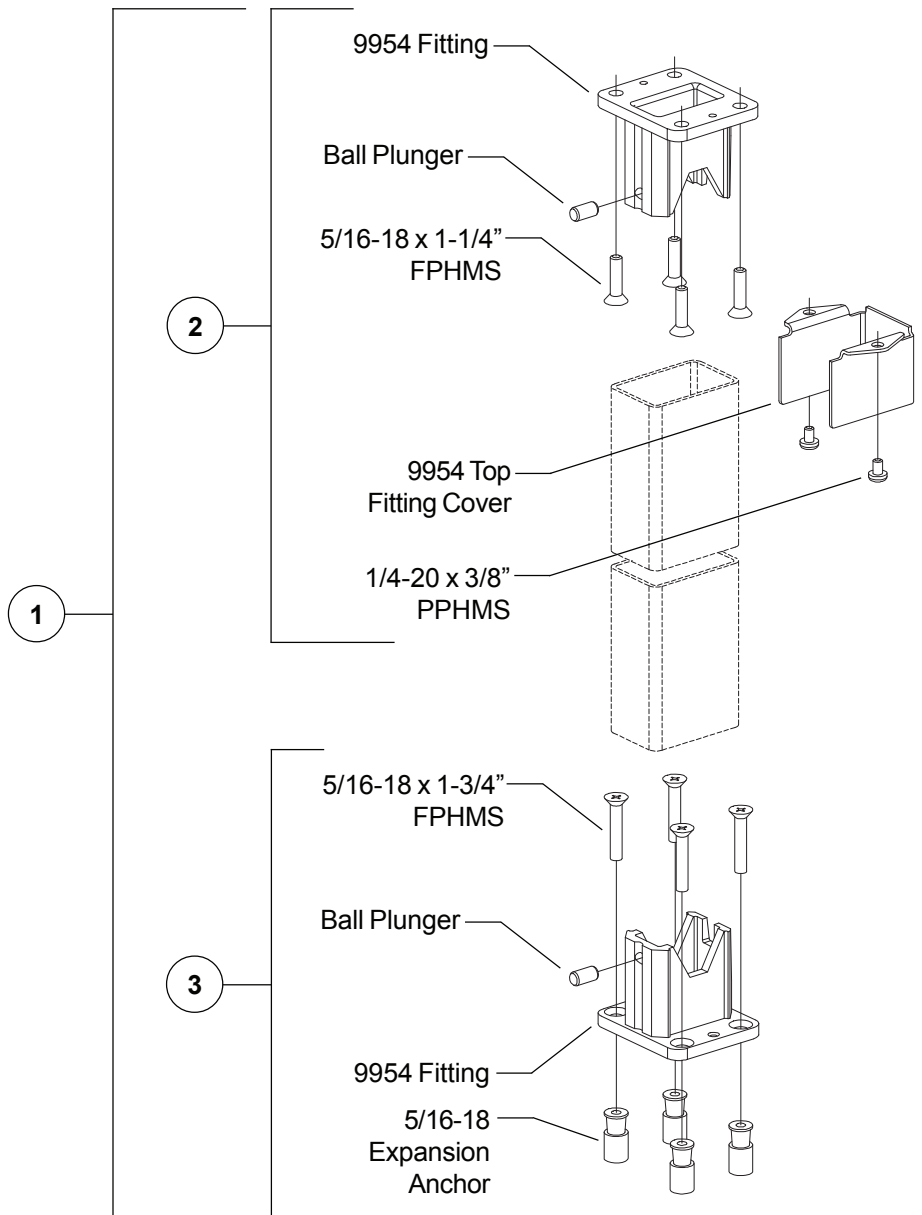
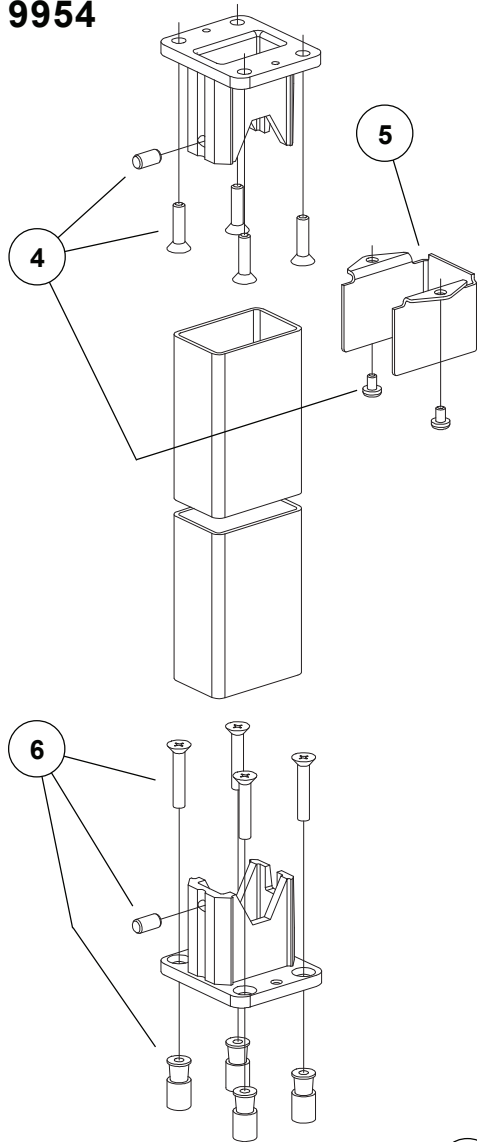
5/16-18 Expansion Anchor

1654, 4954

| Item No. | Part No. | Description | Quantity | Finish |
|----------|----------|--------------------------------------|----------|--------|
| 1 | 050330 | 1654/4954 Fitting Set | | X |
| | | Top Mullion Fitting | 1 | |
| | | 4754/4854/4954 Top Fitting Cover | 1 | |
| | | 1/4-20 x 5/8" PPHMS | 6 | |
| | | 1/4-20 x 1-1/2" PPHMS | 2 | |
| | | 14 x 1" PPHSMS | 3 | |
| | | Bottom Mullion Plate | 1 | |
| | | 5/16-18 x 1/2" Socket Head Set Screw | 1 | |
| | | 5/16-18 Expansion Anchor | 2 | |
| | | 5/16-18 x 1-1/4" FPHMS | 2 | |
| 2 | 050335 | 4954 Top Fitting & Cover | | X |
| | | Top Mullion Fitting | 1 | |
| | | 4754/4854/4954 Top Fitting Cover | 1 | |
| | | 1/4-20 x 5/8" PPHMS | 6 | |
| | | 1/4-20 x 1-1/2" PPHMS | 2 | |
| | | 14 x 1" PPHSMS | 3 | |
| 3 | 050390 | 4754/4854/4954 Bottom Fitting | | X |
| | | Bottom Mullion Plate | 1 | |
| | | 5/16-18 x 1/2" Socket Head Set Screw | 1 | |
| | | 5/16-18 Expansion Anchor | 2 | |
| | | 5/16-18 x 1-1/4" FPHMS | 2 | |
| 4 | 900400 | Mullion (Top) Screw Pkg. | | |
| | | 1/4-20 x 5/8" PPHMS | 6 | |
| | | 1/4-20 x 1-1/2" PPHMS | 2 | |
| | | 14 x 1" PPHSMS | 3 | |
| 5 | 961047 | 4754/4854/4954 Top Fitting Cover | 1 | X |
| 6 | 900402 | Mullion (Bottom) Screw Pkg. | | |
| | | 5/16-18 x 1/2" Socket Head Set Screw | 1 | |
| | | 5/16-18 Expansion Anchor | 2 | |
| | | 5/16-18 x 1-1/4" FPHMS | 2 | |

X in "Finish" column designates finished item; specify finish when ordering.

9954

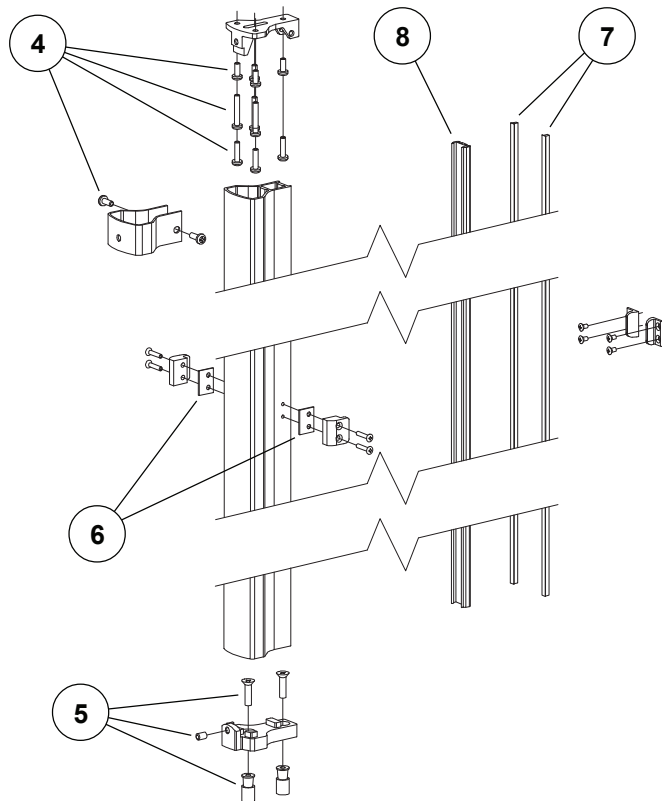
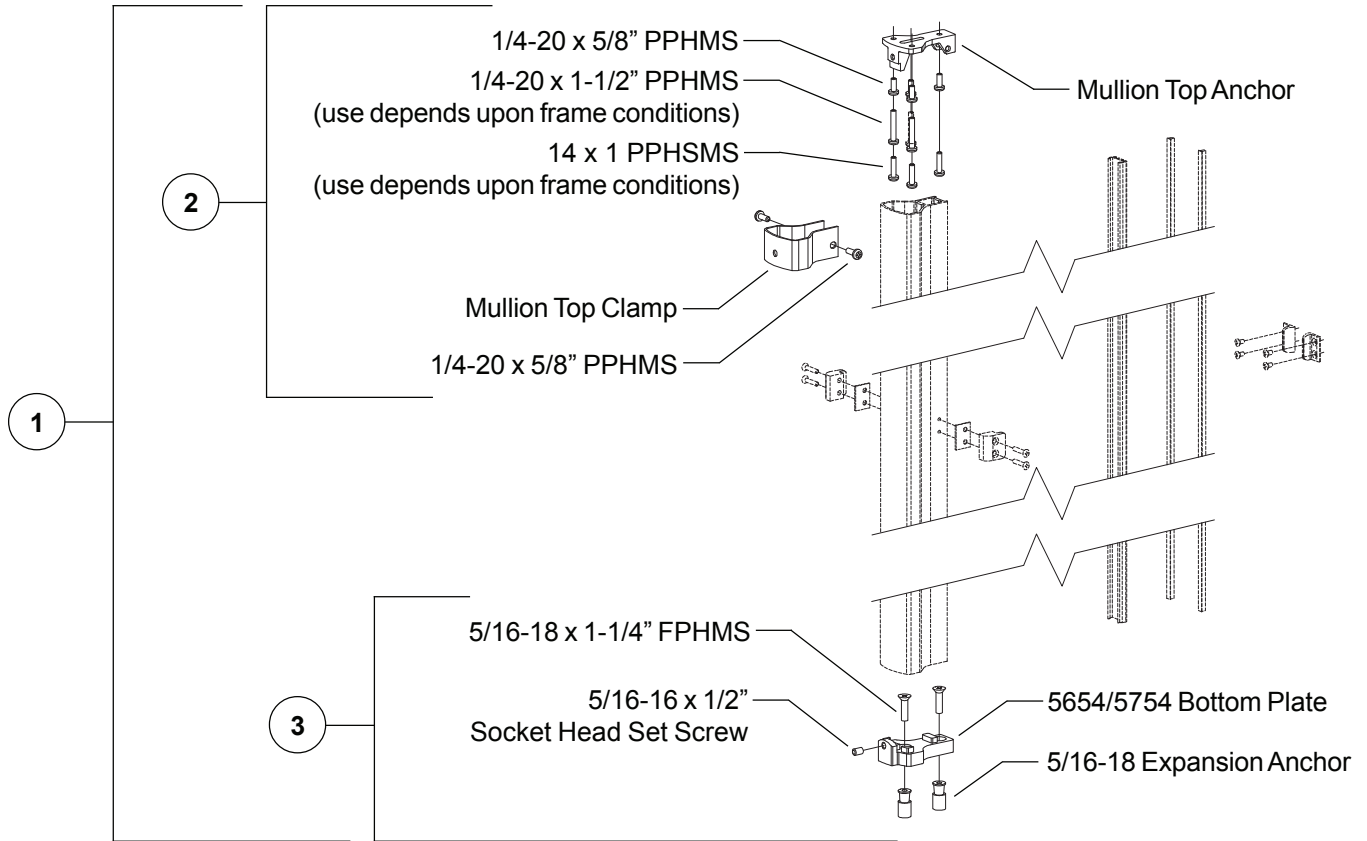


9954

| Item No. | Part No. | Description | Quantity | Finish |
|----------|----------|--------------------------|----------|--------|
| 1 | 050241 | 9954 Fitting Set | | X |
| | | 9954 Fitting | 1 | |
| | | 9954 Top Fitting Cover | 1 | |
| | | 5/16-18 x 1-1/4" FPHMS | 4 | |
| | | 1/4-20 x 3/8" PPHMS | 2 | |
| | | Ball Plunger | 1 | |
| | | 9954 Fitting | 1 | |
| | | 5/16-18 Expansion Anchor | 4 | |
| | | 5/16-18 x 1-3/4" FPHMS | 4 | |
| | | Ball Plunger | 1 | |
| 2 | 050391 | 9954 Top Fitting & Cover | | X |
| | | 9954 Fitting | 1 | |
| | | 9954 Top Fitting Cover | 1 | |
| | | 5/16-18 x 1-1/4" FPHMS | 4 | |
| | | 1/4-20 x 3/8" PPHMS | 2 | |
| | | Ball Plunger | 1 | |
| 3 | 050392 | 9954 Bottom Fitting | | X |
| | | 9954 Fitting | 1 | |
| | | 5/16-18 Expansion Anchor | 4 | |
| | | 5/16-18 x 1-3/4" FPHMS | 4 | |
| | | Ball Plunger | 1 | |
| 4 | 900413 | 9954 (Top) Screw Pkg. | | |
| | | 5/16-18 x 1-1/4" FPHMS | 4 | |
| | | 1/4-20 x 3/8" PPHMS | 2 | |
| | | Ball Plunger | 1 | |
| 5 | 968645 | 9954 Top Fitting Cover | | X |
| 6 | 900411 | 9954 (Bottom) Screw Pkg. | | |
| | | 5/16-18 Expansion Anchor | 4 | |
| | | 5/16-18 x 1-3/4" FPHMS | 4 | |
| | | Ball Plunger | 1 | |

X in "Finish" column designates finished item; specify finish when ordering.

5654, 5754

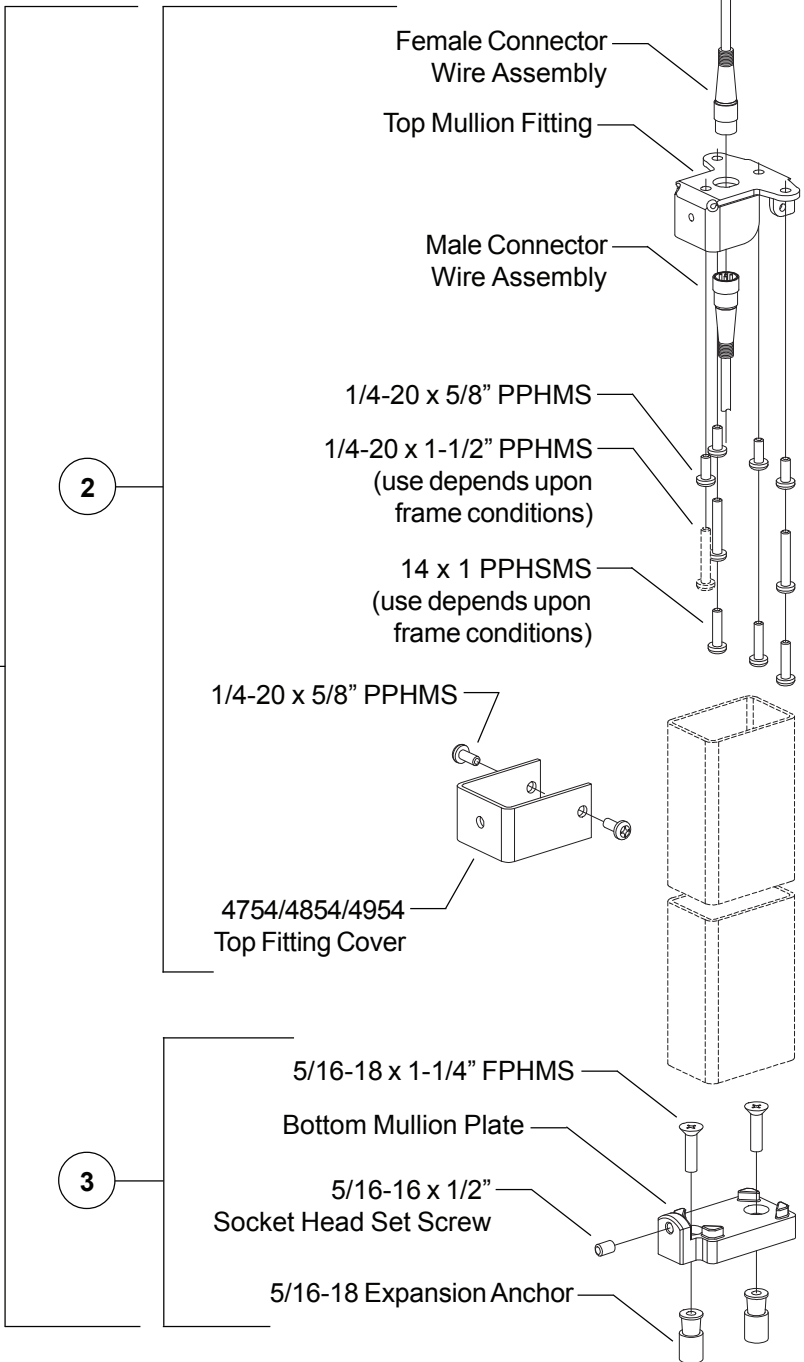
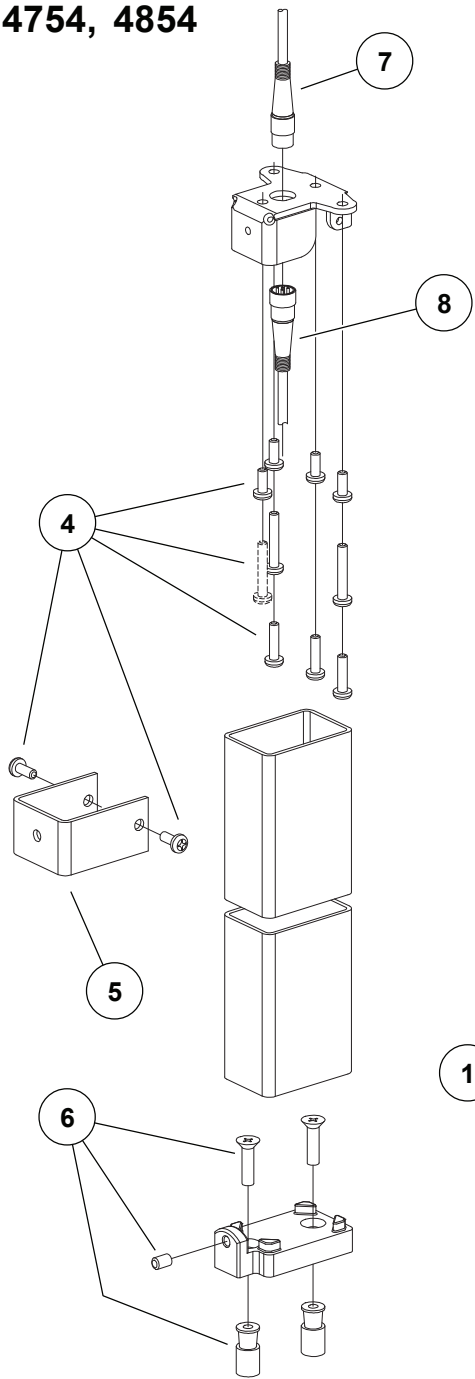


5654, 5754

| Item No. | Part No. | Description | Quantity | Finish |
|----------|----------|--|----------|--------|
| 1 | 050130 | 5654/5754 Fitting Set | | X |
| | | Mullion Top Anchor | 1 | |
| | | Mullion Top Clamp | 1 | |
| | | 1/4-20 x 5/8" PPHMS | 6 | |
| | | 1/4-20 x 1-1/2" PPHMS | 2 | |
| | | 14 x 1" PPHSMS | 3 | |
| | | 5654/5754 Bottom Plate | 1 | |
| | | 5/16-18 x 1/2" Socket Head Set Screw | 1 | |
| | | 5/16-18 Expansion Anchor | 2 | |
| | | 5/16-18 x 1-1/4" FPHMS | 2 | |
| 2 | 050135 | 5654/5754 Top Fitting & Cover | | X |
| | | Mullion Top Anchor | 1 | |
| | | Mullion Top Clamp | 1 | |
| | | 1/4-20 x 5/8" PPHMS | 6 | |
| | | 1/4-20 x 1-1/2" PPHMS | 2 | |
| | | 14 x 1" PPHSMS | 3 | |
| 3 | 050190 | 5654/5754 Bottom Fitting | | X |
| | | 5654/5754 Bottom Plate | 1 | |
| | | 5/16-18 x 1/2" Socket Head Set Screw | 1 | |
| | | 5/16-18 Expansion Anchor | 2 | |
| | | 5/16-18 x 1-1/4" FPHMS | 2 | |
| 4 | 900400 | Mullion (Top) Screw Pkg. | | |
| | | 1/4-20 x 5/8" PPHMS | 6 | |
| | | 1/4-20 x 1-1/2" PPHMS | 2 | |
| | | 14 x 1" PPHSMS | 3 | |
| 5 | 900402 | Mullion (Bottom) Screw Pkg. | | |
| | | 5/16-18 x 1/2" Socket Head Set Screw | 1 | |
| | | 5/16-18 Expansion Anchor | 2 | |
| | | 5/16-18 x 1-1/4" FPHMS | 2 | |
| 6 | 961530 | Mullion Stabilizer Shim | 1 | |
| 7 | 050580 | Weatherstripping (10') Use 2 Per Mullion | 1 | |
| 8 | 965712 | 5654 Mullion Edging - 7' | 1 | X |
| 8 | 965713 | 5654 Mullion Edging - 8' | 1 | X |
| 8 | 965714 | 5654 Mullion Edging - 10' | 1 | X |

X in "Finish" column designates finished item; specify finish when ordering.

4754, 4854

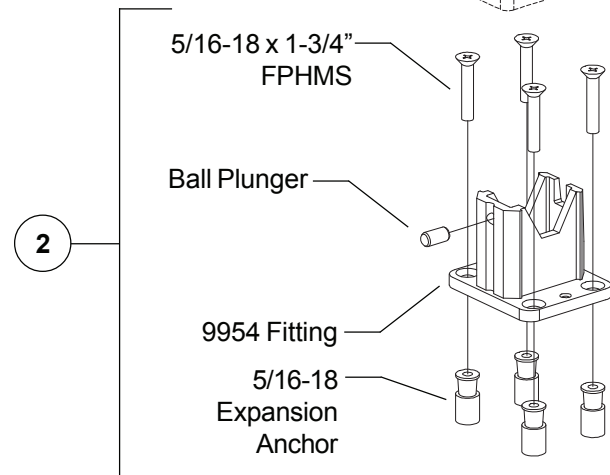
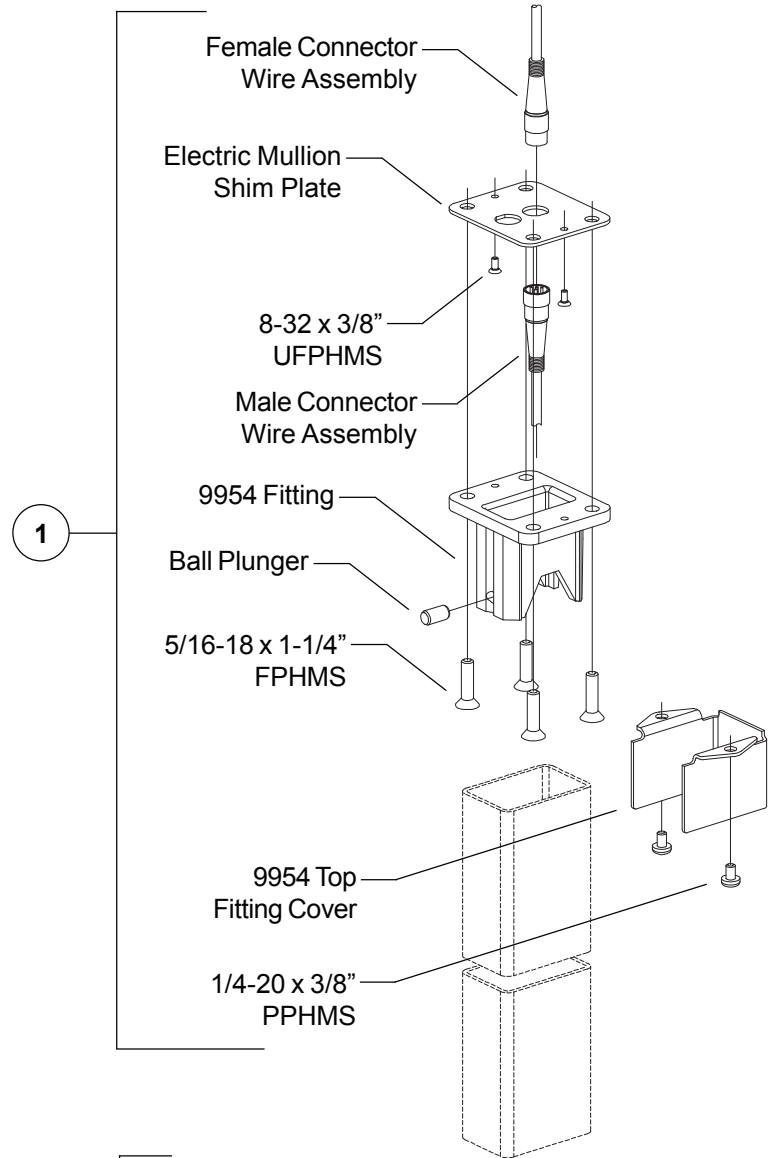
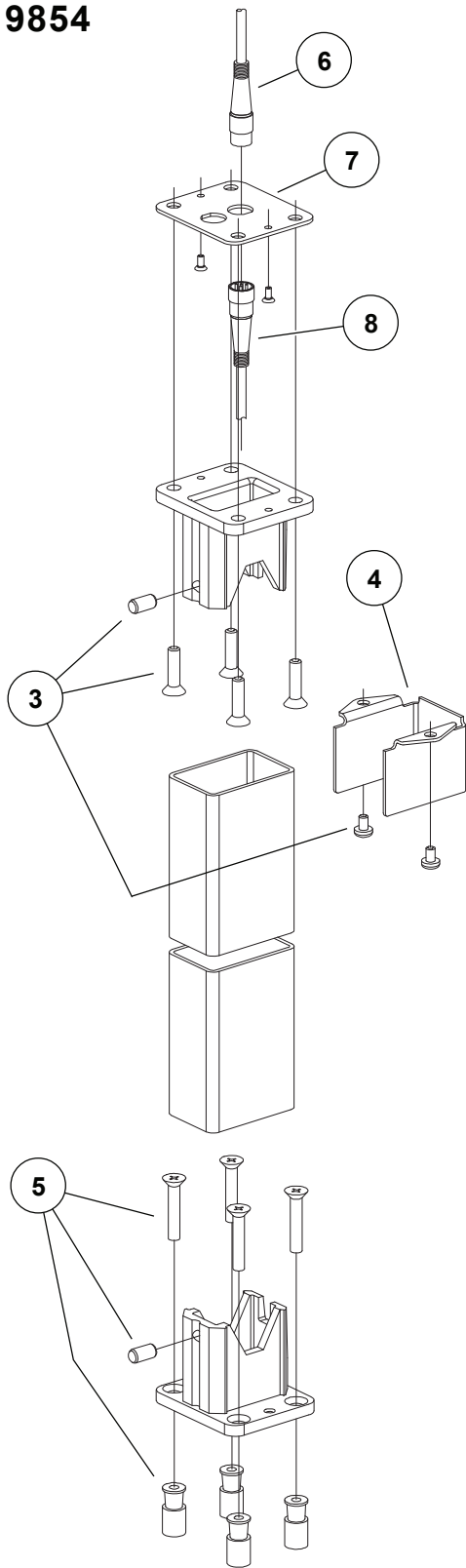


4754, 4854

| Item No. | Part No. | Description | Quantity | Finish |
|----------|-----------|--|----------|--------|
| 1 | 050371 | 4754/4854 Fitting Set | | X |
| | | Male Connector Wire Assembly | 1 | |
| | | Female Receptacle Wire Assembly | 1 | |
| | | Top Mullion Fitting | 1 | |
| | | Top Fitting Cover | 1 | |
| | | 1/4-20 x 5/8" PPHMS | 6 | |
| | | 1/4-20 x 1-1/2" PPHMS | 2 | |
| | | 14 x 1" PPHSMS | 3 | |
| | | Bottom Mullion Plate | 1 | |
| | | 5/16-18 x 1/2" Socket Head Set Screw | 1 | |
| | | 5/16-18 Expansion Anchor | 2 | |
| | | 5/16-18 x 1-1/4" FPHMS | 2 | |
| 2 | 050381 | 4754/4854 Top Electrical Fitting & Cover | | X |
| | | Male Connector Wire Assembly | 1 | |
| | | Female Receptacle Wire Assembly | 1 | |
| | | Top Mullion Fitting | 1 | |
| | | Top Fitting Cover | 1 | |
| | | 1/4-20 x 5/8" PPHMS | 6 | |
| | | 1/4-20 x 1-1/2" PPHMS | 2 | |
| | | 14 x 1" PPHSMS | 3 | |
| 3 | 050390 | 4754/4854/4954 Bottom Fitting | | X |
| | | Bottom Mullion Plate | 1 | |
| | | 5/16-18 x 1/2" Socket Head Set Screw | 1 | |
| | | 5/16-18 Expansion Anchor | 2 | |
| | | 5/16-18 x 1-1/4" FPHMS | 2 | |
| 4 | 900400 | Mullion (Top) Screw Pkg. | | |
| | | 1/4-20 x 5/8" PPHMS | 6 | |
| | | 1/4-20 x 1-1/2" PPHMS | 2 | |
| | | 14 x 1" PPHSMS | 3 | |
| 5 | 961047 | 4754/4854/4954 Top Fitting Cover | | X |
| 6 | 900402 | Mullion (Bottom) Screw Pkg. | | |
| | | 5/16-18 x 1/2" Socket Head Set Screw | 1 | |
| | | 5/16-18 Expansion Anchor | 2 | |
| | | 5/16-18 x 1-1/4" FPHMS | 2 | |
| 7 | 105988-00 | Male Receptacle Wire Assembly | 1 | |
| 8 | 105987-00 | Female Connector Wire Assembly | 1 | |

X in "Finish" column designates finished item; specify finish when ordering.

9854

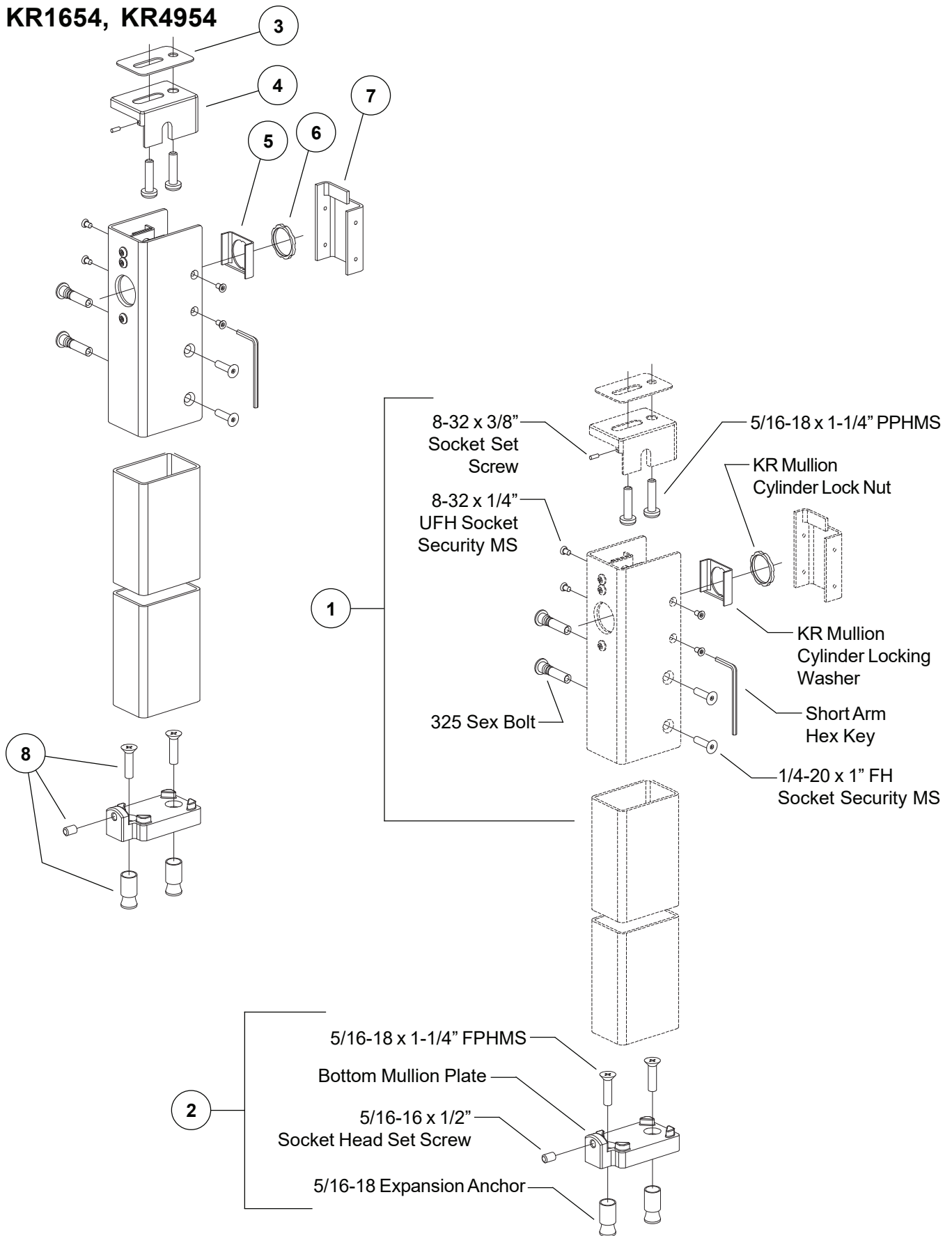


9854

| Item No. | Part No. | Description | Quantity | Finish |
|--------------|-----------|---------------------------------|----------|--------|
| 1 | 050383 | 9854 Top Mullion Fitting Kit | | X |
| | | Male Connector Wire Assembly | 1 | |
| | | Female Receptacle Wire Assembly | 1 | |
| | | Electric Mullion Shim Plate | 1 | |
| | | 9954 Fitting | 1 | |
| | | 9954 Top Fitting Cover | 1 | |
| | | 5/16-18 x 1-1/4" FPHMS | 4 | |
| | | 1/4-20 x 3/8" PPHMS | 2 | |
| | | 8-32 x 3/8" UFPHMS | 2 | |
| Ball Plunger | 1 | | | |
| 2 | 050392 | 9954 Bottom Fitting & Cover | | X |
| | | 9954 Fitting | 1 | |
| | | 5/16-18 Expansion Anchor | 4 | |
| | | 5/16-18 x 1-3/4" FPHMS | 4 | |
| | | Ball Plunger | 1 | |
| 3 | 900413 | 9954 (Top) Screw Pkg. | | |
| | | 5/16-18 x 1-1/4" FPHMS | 4 | |
| | | 1/4-20 x 3/8" PPHMS | 2 | |
| | | Ball Plunger | 1 | |
| 4 | 968645 | 9954 Top Fitting Cover | | X |
| 5 | 900402 | 9954 (Bottom) Screw Pkg. | | |
| | | 5/16-18 Expansion Anchor | 4 | |
| | | 5/16-18 x 1-3/4" FPHMS | 4 | |
| | | Ball Plunger | 1 | |
| 6 | 105988-00 | Male Receptacle Wire Assembly | 1 | |
| 7 | 971313 | Electric Mullion Shim Plate | 1 | X |
| 8 | 105987-00 | Female Connector Wire Assembly | 1 | |

X in "Finish" column designates finished item; specify finish when ordering.

KR1654, KR4954

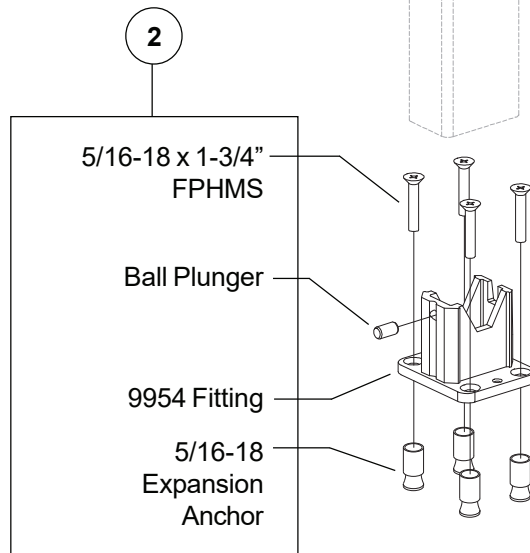
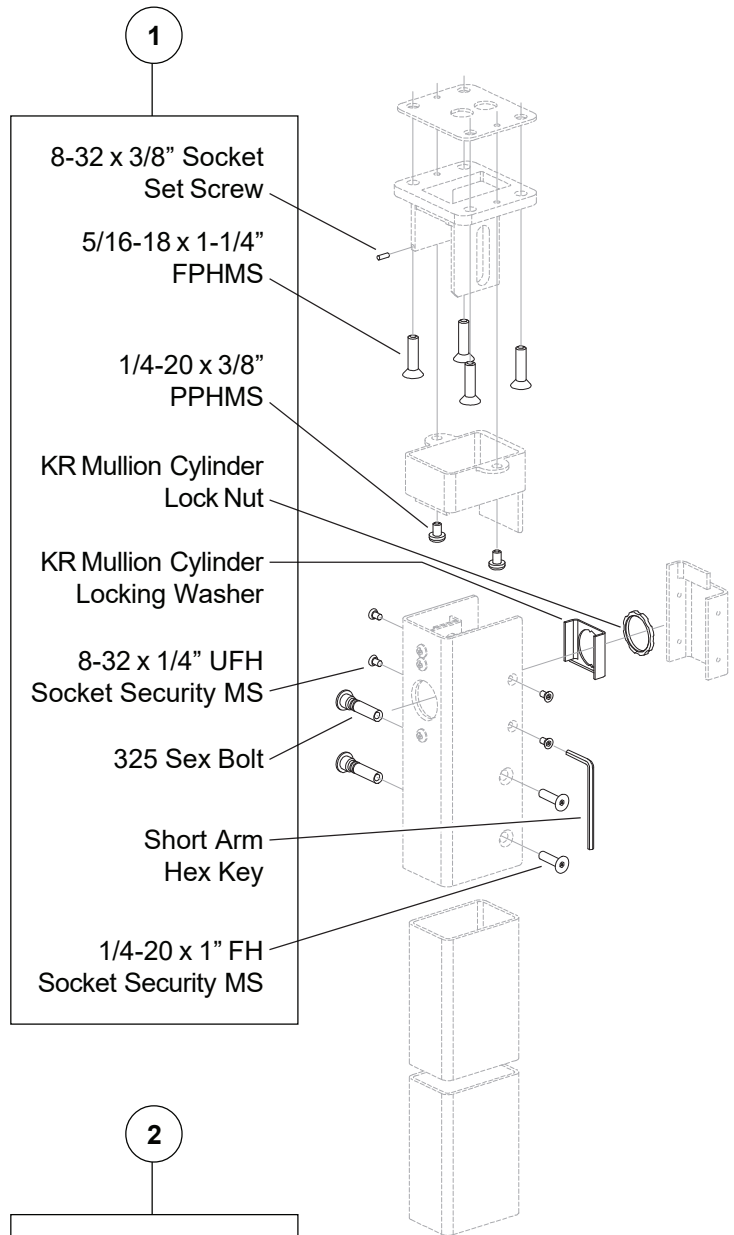
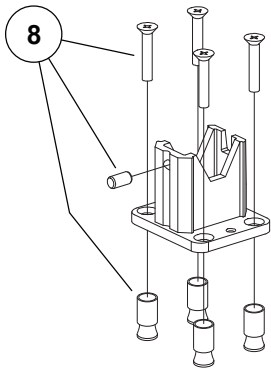
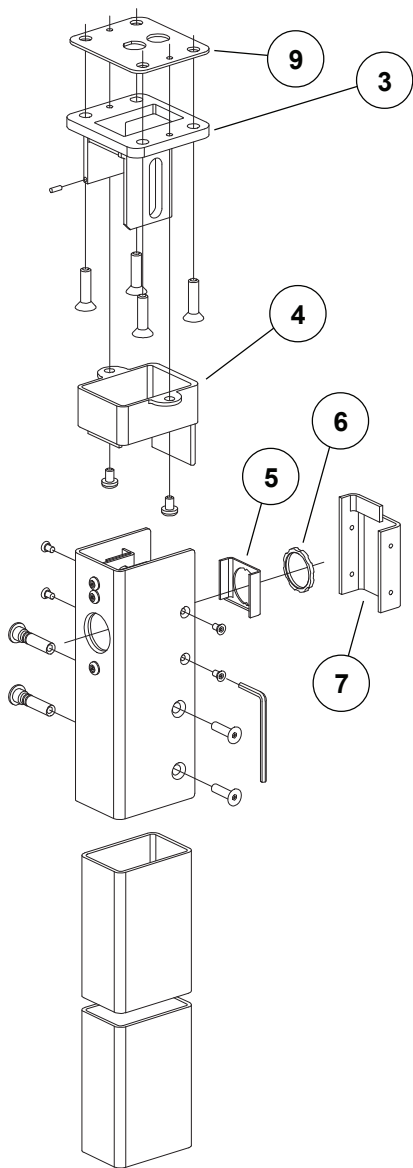


KR1654, KR4954

| Item No. | Part No. | Description | Quantity | Finish |
|----------|----------|--------------------------------------|----------|--------|
| 1 | 900409 | KR1654/KR4954 Mullion Mounting Pkg. | | X |
| | | 325 Sex Bolt | 2 | |
| | | 1/4-20 x 1 FH Socket Security MS | 2 | |
| | | 8-32 x 1/4" UFH Socket Security MS | 4 | |
| | | Short Arm Hex Key | 1 | |
| | | 5/16-18 x 1-1/4" PPHMS | 2 | |
| | | 8-32 x 3/8" Socket Set Screw | 1 | |
| | | KR Mullion Cylinder Locking Washer | 1 | |
| | | Cylinder Locknut Nitched | 1 | |
| 2 | 050390 | 4754/4854/4954 Bottom Fitting | | X |
| | | Bottom Mullion Plate | 1 | |
| | | 5/16-18 x 1/2" Socket Head Set Screw | 1 | |
| | | 5/16-18 Expansion Anchor | 2 | |
| | | 5/16-18 x 1-1/4" FPHMS | 2 | |
| 3 | 971212 | KR Shim Plate | 1 | |
| 4 | 971340 | KR1654/KR4954 Top Fitting | 1 | X |
| 5 | 971328 | KR Mullion Cylinder Locking Washer | 1 | |
| 6 | 050526 | KR Mullion Cylinder Lock Nut | 1 | |
| 7 | 971187 | KR Inner Mullion Back Cover Plate | 1 | X |
| 8 | 900402 | Mullion (Bottom) Screw Pkg. | | |
| | | 5/16-18 x 1/2" Socket Head Set Screw | 1 | |
| | | 5/16-18 Expansion Anchor | 2 | |
| | | 5/16-18 x 1-1/4" FPHMS | 2 | |

X in "Finish" column designates finished item; specify finish when ordering.

KR9854, KR9954



KR9854, KR9954

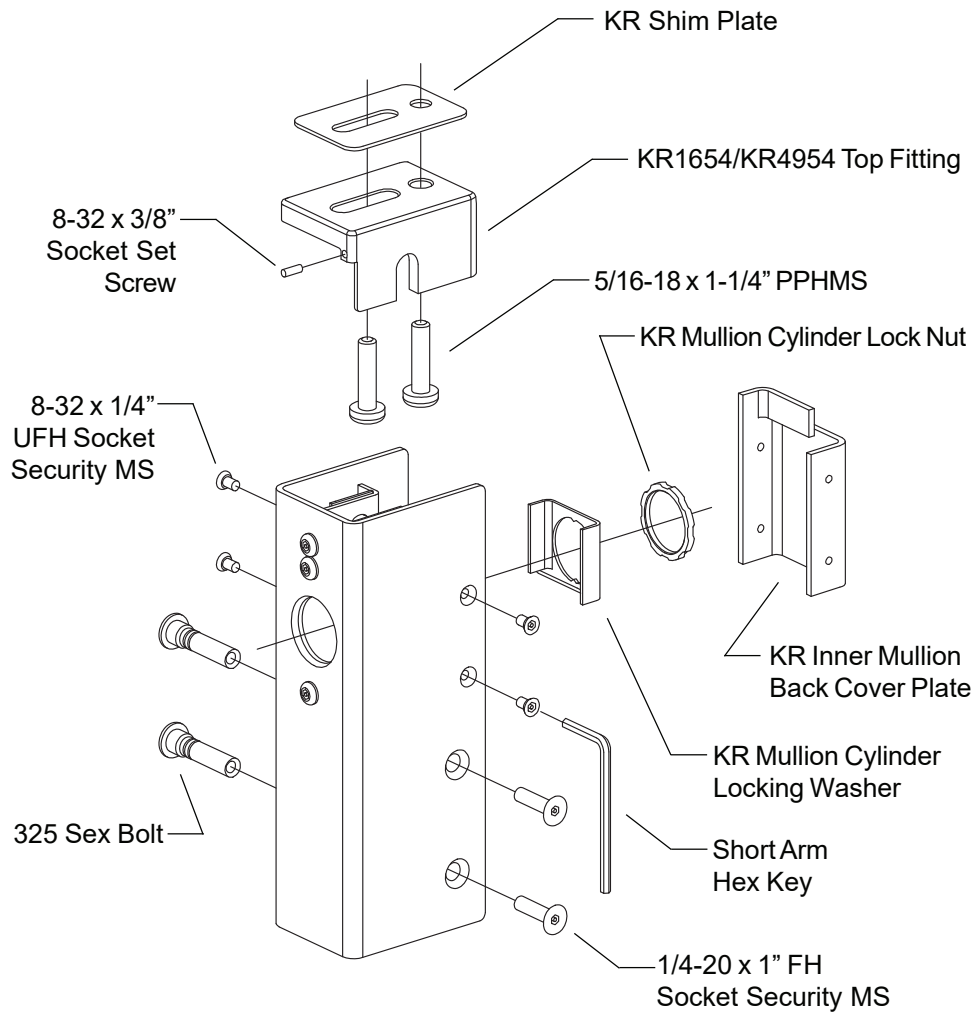
| Item No. | Part No. | Description | Quantity | Finish |
|----------|----------|-------------------------------------|----------|--------|
| 1 | 900410 | KR9854/KR9954 Mullion Mounting Pkg. | | X |
| | | 8-32 x 3/8" Socket Set Screw | 1 | |
| | | 5/16-18 x 1-1/4" FPHMS | 4 | |
| | | 8-32 x 1/4" UFH Socket Security MS | 4 | |
| | | 325 Sex Bolt | 2 | |
| | | 1/4-20 x 3/8" PPHMS | 2 | |
| | | KR Mullion Cylinder Lock Nut | 1 | |
| | | KR Mullion Cylinder Locking Washer | 1 | |
| | | Short Arm Hex Key | 1 | |
| | | 1/4-20 x 1" FH Socket Security MS | 2 | |
| 2 | 050392 | 9954 Bottom Fitting & Cover | | X |
| | | 9954 Fitting | 1 | |
| | | 5/16-18 Expansion Anchor | 4 | |
| | | 5/16-18 x 1-3/4" FPHMS | 4 | |
| | | Ball Plunger | 1 | |
| 3 | 971312 | KR9954 Top Fitting | 1 | X |
| 4 | 971316 | KR9854/KR9954 Fusible Spacer | 1 | X |
| 5 | 971328 | KR Mullion Cylinder Locking Washer | 1 | |
| 6 | 050526 | KR Mullion Cylinder Lock Nut | 1 | |
| 7 | 971187 | KR Inner Mullion Back Cover Plate | 1 | X |
| 8 | 900402 | 9954 (Bottom) Screw Pkg. | | |
| | | 5/16-18 Expansion Anchor | 4 | |
| | | 5/16-18 x 1-3/4" FPHMS | 4 | |
| | | Ball Plunger | 1 | |
| 9 | 971313 | Electric Mullion Shim Plate | 1 | X |

X in "Finish" column designates finished item; specify finish when ordering.

KR54 RETROFIT KIT

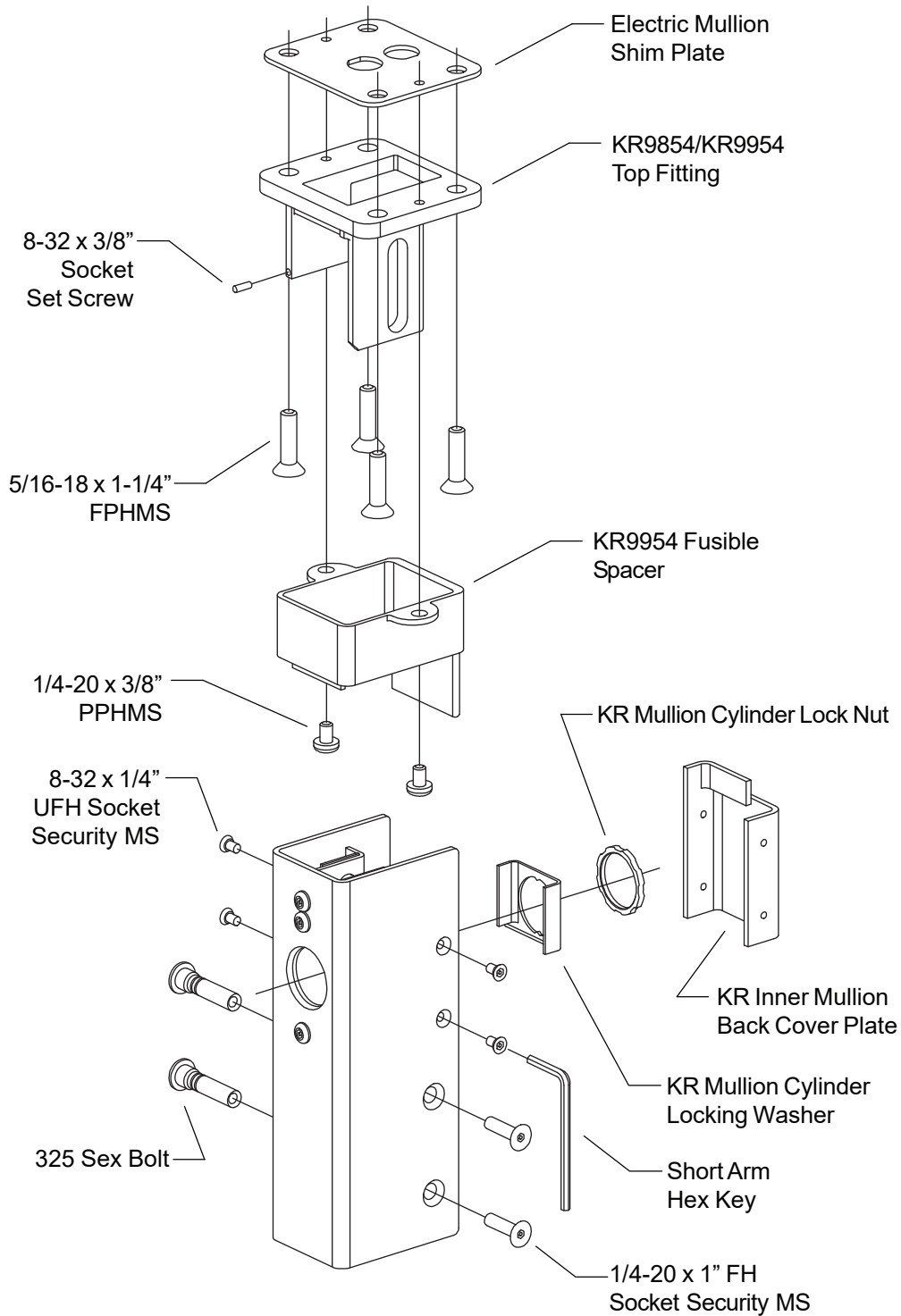
(Part No. 050168)

Specify finish when ordering



KR54-F RETROFIT KIT
 (Part No. 050169)

Specify finish when ordering



About Allegion

Allegion (NYSE: ALLE) creates peace of mind by pioneering safety and security. As a \$2 billion provider of security solutions for homes and businesses, Allegion employs more than 7,800 people and sells products in more than 120 countries across the world. Allegion comprises 23 global brands, including strategic brands CISA®, Interflex®, LCN®, Schlage® and Von Duprin®.

For more, visit www.allegion.com.

aptiQ ■ LCN ■ **SCHLAGE** ■ STEELCRAFT ■ VON DUPRIN